

Digital Display

**Process-Controlled
for Pressure Transmitters and
Resistance Thermometers**

4 Digits,
96 x 48 x 130 (3.78" x 1.9" x 5.12")



Model **DPM**

General Function

All functions of the processor-controlled digital display **dpm** can be changed by the operator via the front panel key pad and slider switches. Both the span of the LED display and the MAX/MIN alarms can be adjusted by means of the easy to use key pad and if necessary locked with a slider switch. With the optional 2 or 4 alarm contacts smaller process controlling functions can be realized very easy, cost-saving and without any additional devices. Because of the splashproofed front the **dpm** is suitable excellently for applications in rough industrial environments.

Features

- enclosure code IP 65
- optional 0/4-20mA analog output
- optional 2 or 4 alarms
- hysteresis adjustable
- sensor supply (if input -gs)
- lighted customized signal unit marking
- plug-in terminal blocks
- CE-registration



Ordering Examples

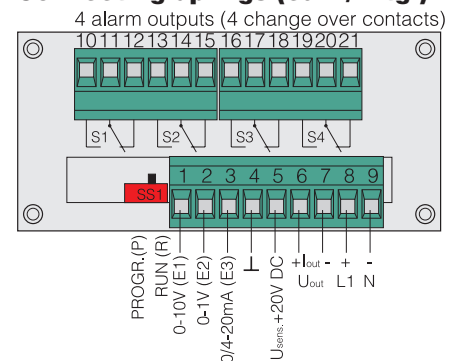
| type-input | current output | supply volt. |
|--------------|----------------|--------------|
| DPM-gs | | 230 V AC |
| DPM-pt | -sa | 24 V DC |
| DPM-p (pot.) | -sa | 115 V AC |

| alarm modules | |
|---------------|---|
| DPM-2gw | 2 changeover contacts in the basic device |
| DPM-4gw | 4 changeover contacts in the basic device |

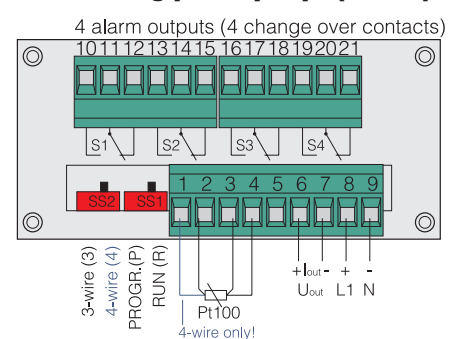
Specification

| | | |
|-------------------|---------------------|---|
| Housing | panel mount case | 96x48x130mm, 2 side mounting clips |
| Panel cutout | (WxH) | 92x45mm tol. -0,5mm |
| Enclosure Code | front / rear | IP65 / IP20 |
| Ambient | operation temperat. | 0...+50°C |
| | shelf temperat. | -20...+70°C |
| | humidity | 0...95% no condensate |
| Input | Pt100 | -100,0...+600,0°C |
| | current / voltage | 0/4-20mA (Ri 50Ω), 0-1V, 0-10V (Ri 50kΩ) |
| | potentiometer | 0,1...10kΩ |
| Accuracy | and resolution | 0,1% ±1 digit, 15 bit |
| Display | 7-segment | -1999...+9999 |
| Sensor supply | short-circuit proof | approx. 25VDC 30mA max. |
| Supply voltage | AC | 230V AC, 50Hz approx. 7VA |
| | DC | 24V DC ±10% 0,3A max. |
| Options | | |
| alarm outputs | 2gw or 4gw | 250V/3A AC changeover contacts |
| | | hysteresis and function adjustable |
| Analog output -sa | current 0/4-20mA | 12bit resolution max. burden resist. 500Ω |
| | | free adjustable |
| | | (voltage 0-10V special version) |

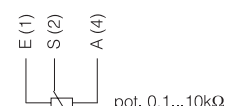
Connecting dpm-gs (curr./ vltg.)



Connecting plan dpm-pt (Pt100)



Connecting plan dpm-p (pot.)



All data subject to change and errors excluded



ARMATURENBAU GmbH

Manometerstraße 5 • D-46487 Wesel - Ginderich
Phone: (0 28 03) 91 30-0 • Fax: (0 28 03) 10 35
armaturenbau.com • mail@armaturenbau.com



Subsidiary Company and Sales East Germany and Eastern Europe

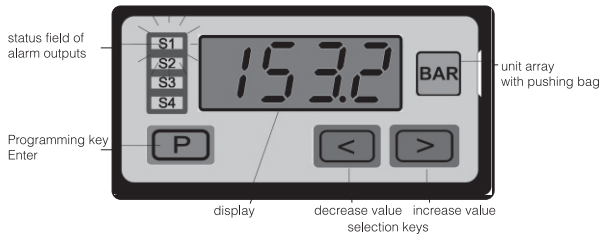
MANOTHERM Beierfeld GmbH

Am Gewerbepark 9 • D-08340 Beierfeld
Phone: (0 37 74) 58 - 0 • Fax: (0 37 74) 58 - 545
manotherm.com • mail@manotherm.com

9910

3/03

Service- and Displaying Elements



Information

Set slider switch "SS1" for parameter setting to "P". After adjustment set "SS1" to "R" for protecting this program mode.

Displaying an Alarm Value (S1...S4)



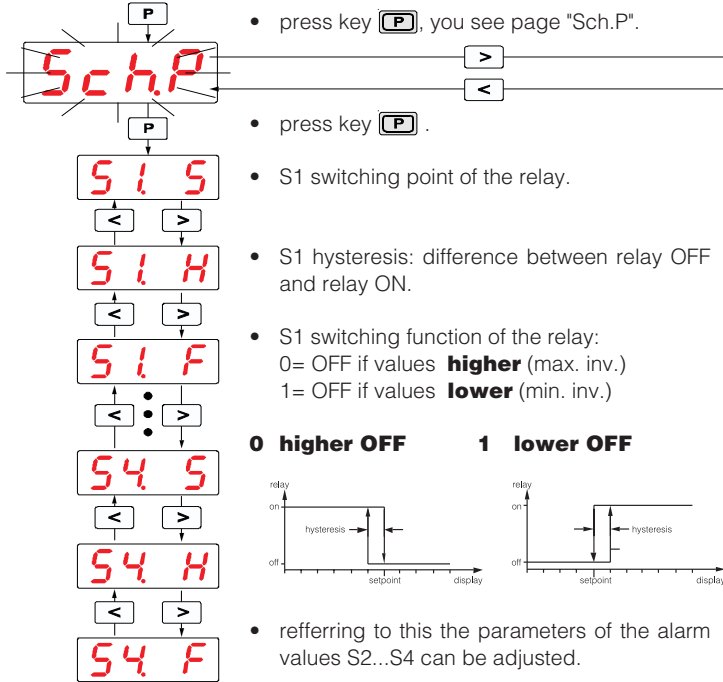
With keys or the values S1...S4 can be displayed. After 5 sec. device returns to the display mode.

Fast Setting an Alarm Value (S1...S4)

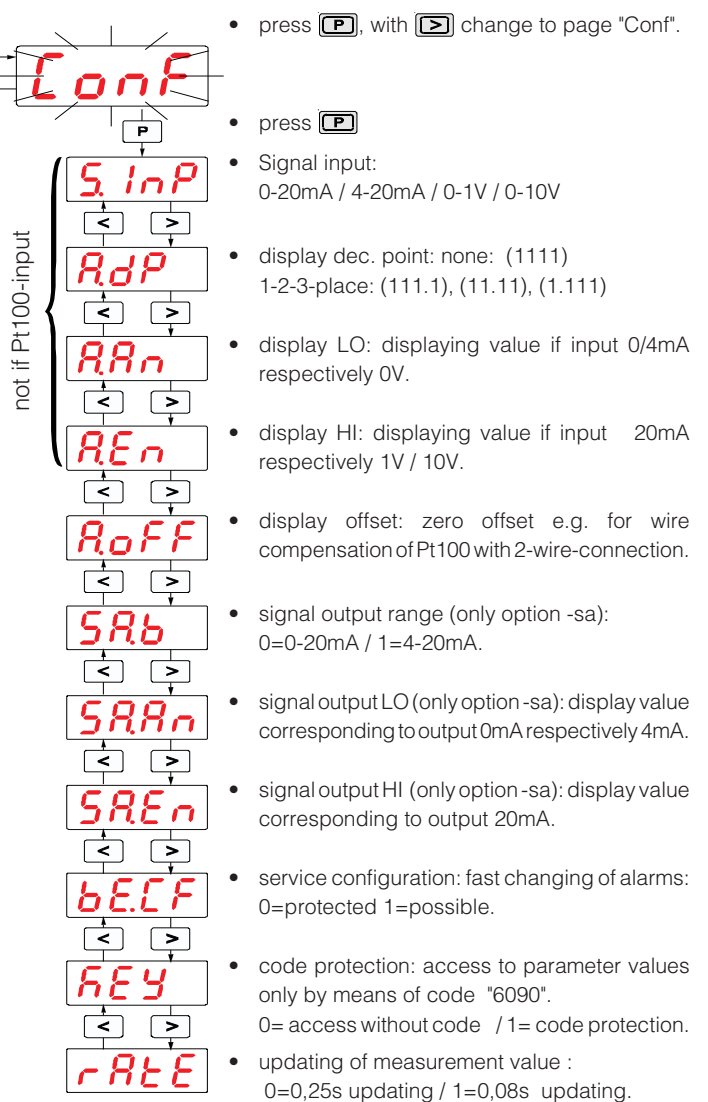


- select an alarm value (see above)
- Hold key pressed and
- change with or .

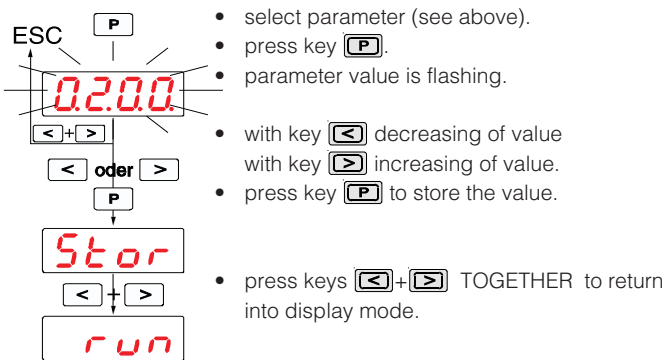
Parameter List for Switchpoint Setting



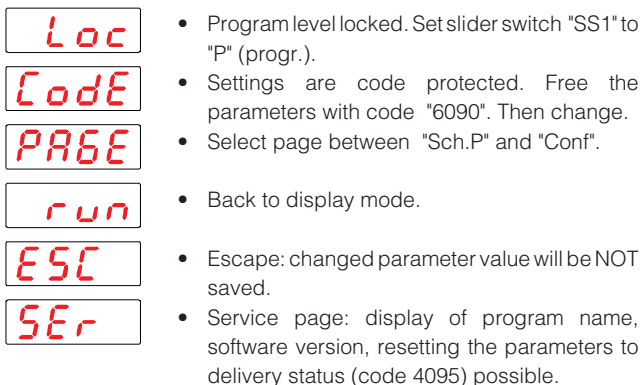
Parameter List Configuration



Changing a Parameter value



Display Informations



Alarm Displays

